



Jalando JA 90

(PREASSEMBLED & DIY KIT)



Weight
830kg Preassembled
420kg DIY



Whats Included

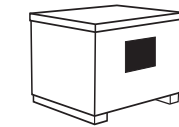
- Cement/clay oven
- Flue
- Steel slab base (preassembled only)
- Steel sub floor
- 1 Pizza paddle
- Refractory brick floor
- 1 Recipe book
- 1 Powder coated oven door
- 1 oven stand (preassembled only)
- Assembly instructions (DIY only)



Oven Dimensions

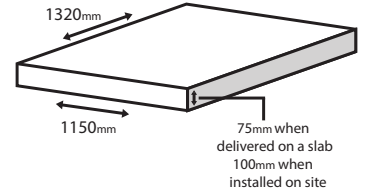


Delivery Quote



Box Dimensions

Slab Size



Preassembled only

External dimensions of oven

Length (front to back)	1320mm
Width (left to right)	1150mm
Oven height (excluding flue)	780mm
Weight (preassembled)	830kg
Weight (DIY)	420kg

Internal dimensions of oven

Length (front to back)	1150mm
Width (left to right)	915mm

Flue details

Flue height	1000mm
Flue diameter	275mm

For delivery quote go online

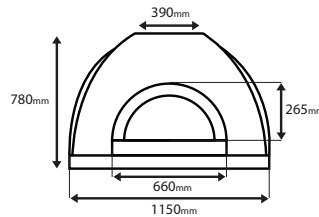
jalandopizzaovens.com.au/quotation-on-delivery
or call on 0418 339 881 - 0438 783 533
Monday - Friday 8am to 6pm

Preassembled oven

(L) 1450mm x (W) 1150mm x (H) 895mm

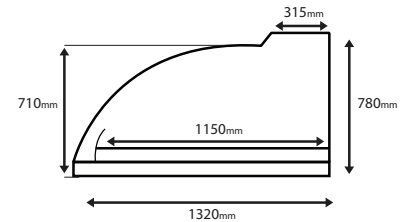
DIY kit

(L) 1110mm x (W) 1170mm x (H) 1025mm



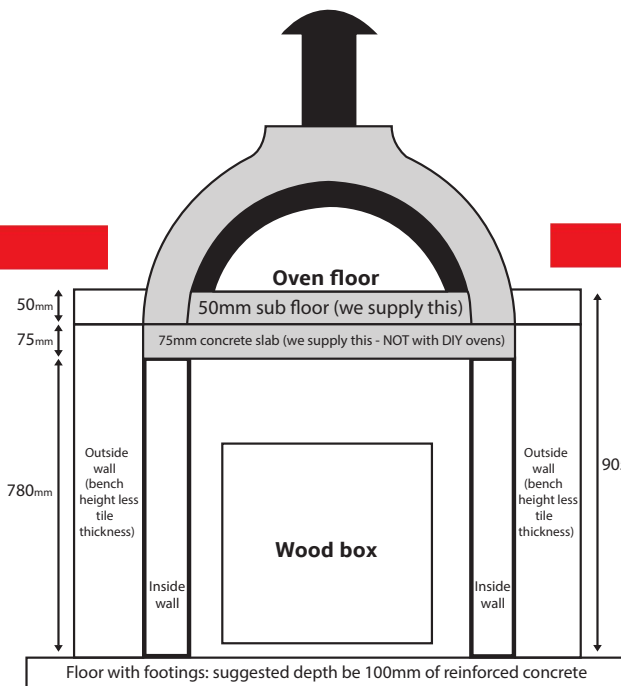
Oven Diagram (Front)

Width	1150mm
Height	780mm
Arch width	660mm
Arch height	265mm
Flue base width	390mm



Oven Diagram (Side)

Length	1320mm
Height	780mm
Internal length	1150mm
Flue base width	315mm
Rear height	710mm



Oven sub floor	50mm
Slab	75mm
Sub floor and slab	125mm
Bench height	905mm +/-
Supporting wall for oven	780mm +/-
Oven floor height on supporting wall	905mm +/-

Note: Exterior wall height to suit tile and granite thickness to match oven floor height.

Suggested base sizes (plain base)

Length (including prep area)	1570mm
Front prep area	250mm
Width (suggested minimum)	1350mm
Width (with side prep area)	1650mm

Wood box (suggested)
600mm x 60mm x 800mm deep
Height (bench height)
905mm to 950mm

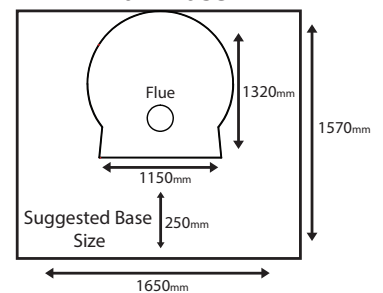
Suggested base sizes (corner base)

Sides (absolute minimum)	1650mm
Sides (good)	1700mm
Sides (recommended)	1750mm
Width of wall	950mm
Front prep area (widest point)	250mm

Wood box (suggested)
600mm x 60mm x 800mm deep
Height (bench height)
850mm to 950mm
Distance from back corner
to front of oven floor

1630mm

Plain Base



Corner base

