



Jalando JA 110

(PREASSEMBLED & DIY KIT)

Weight
 1200kg Preassembled
 510kg DIY

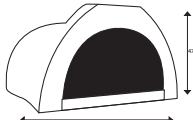
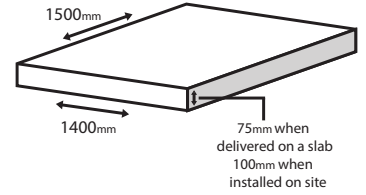
Whats Included

- Cement/clay oven
- Flue
- Steel slab base (preassembled only)
- Steel sub floor
- 1 Pizza paddle
- Refractory brick floor
- 1 Recipe book
- 1 Powder coated oven door
- 1 oven stand (preassembled only)
- Assembly instructions (DIY only)



Preassembled only

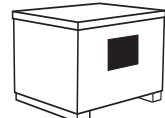
Slab Size



Oven Dimensions



Delivery Quote



Box Dimensions

External dimensions of oven

Length (front to back)	1500mm
Width (left to right)	1400mm
Oven height (excluding flue)	780mm
Weight (preassembled)	1200kg
Weight (DIY)	510kg

For delivery quote go online

jalandopizzaovens.com.au/quotation-on-delivery
 or call on 0418 339 881 - 0438 783 533
 Monday - Friday 8am to 6pm

Preassembled oven

(L) 1550mm x (W) 1650mm x (H) 1080mm

DIY kit

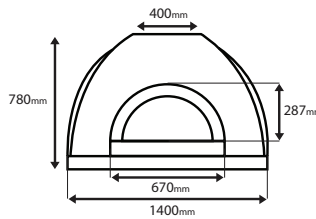
(L) 1110mm x (W) 1170mm x (H) 1025mm

Internal dimensions of oven

Length (front to back)	1330mm
Width (left to right)	1112mm

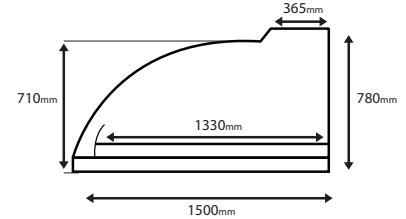
Flue details

Flue height	1000mm
Flue diameter	275mm



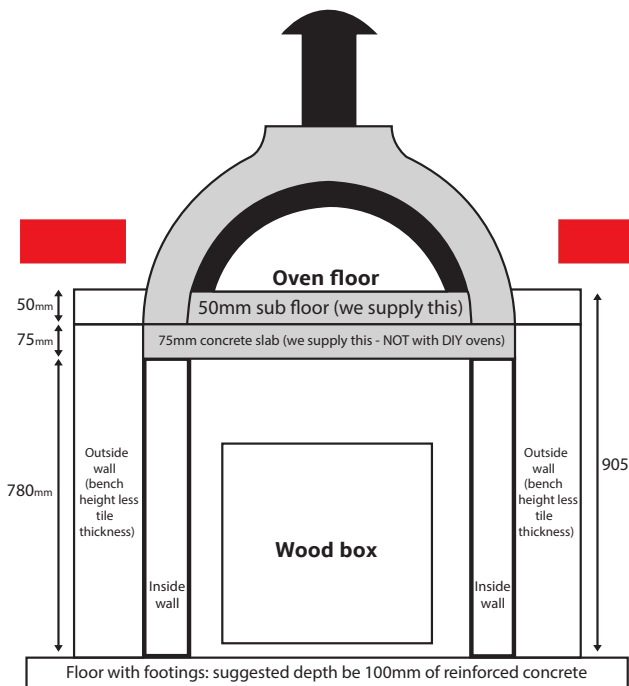
Oven Diagram (Front)

Width	1400mm
Height	780mm
Arch width	670mm
Arch height	287mm
Flue base width	400mm



Oven Diagram (Side)

Length	1500mm
Height	780mm
Internal length	1330mm
Flue base width	365mm
Rear height	710mm

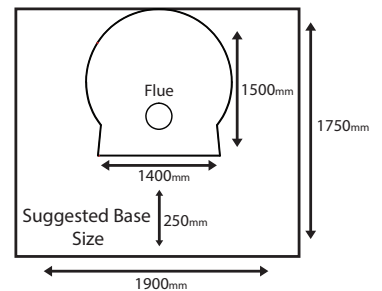


Suggested base sizes (plain base)

Length (including prep area)	1750mm
Front prep area	250mm
Width (suggested minimum)	1600mm
Width (with side prep area)	1900mm

Wood box (suggested)
 600mm x 60mm x 800mm deep
 Height (bench height)
 905mm to 950mm

Plain Base

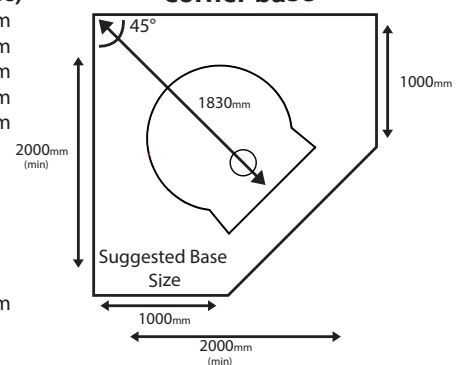


Suggested base sizes (corner base)

Sides (absolute minimum)	1900mm
Sides (good)	1950mm
Sides (recommended)	2000mm
Width of wall	1000mm
Front prep area (widest point)	250mm

Wood box (suggested)
 600mm x 60mm x 800mm deep
 Height (bench height)
 850mm to 950mm
 Distance from back corner
 to front of oven floor

Corner base



Note: Exterior wall height to suit tile and granite thickness to match oven floor height.